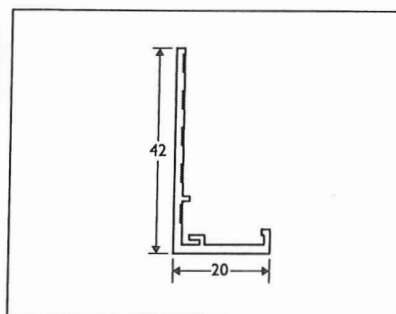
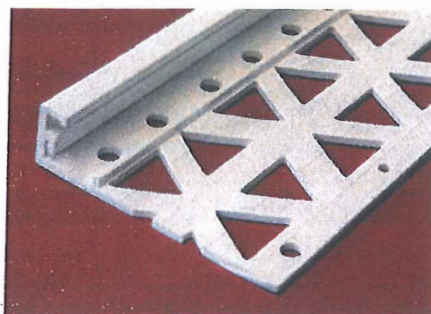




PRODUCT DATA SHEET - R20



Affiliations FPDC

Health & Safety Delsys PVCu beads are safe to handle.
COSHH certificate available upon request.

Application Used to provide a straight clean finish on the edge of plaster or render at door or window openings. Helps protect and finish plaster and render edges.

Chemical General purpose, Calcium/Zinc stabilised medium impact rigid PVCu compound.

Product R20

Description 20mm Render Stop Bead

Brand Delsys

Composition Made from PVCu

Dimensions Approx 5mm arris with 42mm wing

Quality Control Manufactured in accordance to ISO 9001 & complies with BS EN 13914-1&2

Depth 20 - 22mm plaster depth

Colours White

Weight/box 8.25 kgs

Length 2.5m

Packaging 25 lengths per tube

Light UV stable

Installation Choose your beads to suit their application (internal/external) and the plaster/render thickness to be used.
Cut to length with tin snips or a fine tooth saw.
Fixing is quick and simple.
Apply dabs at 600mm centres then press the perforated wings into the plaster dabs.

Storage Store flat away from heat and direct sunlight.

Supply Available Ex-stock.
Typical delivery within 48 hrs.
Please contact our sales team for further information.



PROTEKTOR UK Limited

Protektor House, Frederick Road
Hoo Farm Industrial Estate
Kidderminster DY11 7RA

Tel: 01562 515200
Fax: 01562 515116
Email: info@protektor.co.uk
Web: www.protektor.co.uk