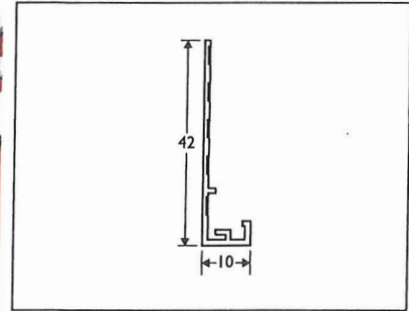
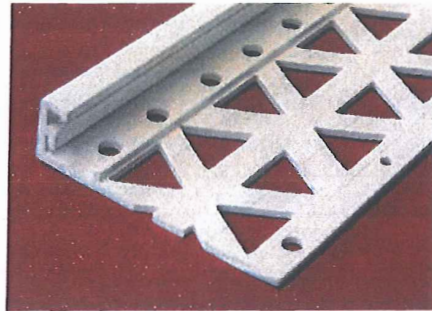




PRODUCT DATA SHEET - R10



Affiliations	FPDC	Application	Used to provide a straight clean finish on the edge of plaster or render at door or window openings. Helps protect and finish plaster and render edges.
Health & Safety	Delsys PVCu beads are safe to handle. COSHH certificate available upon request.	Chemical	General purpose, Calcium/Zinc stabilised medium impact rigid PVCu compound.
Product	R10	Depth	10 - 12mm plaster depth
Description	10mm Render Stop Bead	Colours	White - Ivory (IV) - Rose (RS) Light Grey (LG) - Dark Grey (DG) Beige (BE) - Terracotta (TC)
Brand	Delsys	Weight/box	4.57 kgs
Composition	Made from PVCu	Length	2.5m
Dimensions	Approx 5mm arris with 42mm wing	Packaging	25 lengths per tube
Quality Control	Manufactured in accordance to ISO 9001 & complies with BS EN 13914-1&2	Light	UV stable
Installation	Choose your beads to suit their application (internal/external) and the plaster/render thickness to be used. Cut to length with tin snips or a fine tooth saw. Fixing is quick and simple. Apply dabs at 600mm centres then press the perforated wings into the plaster dabs.	Storage	Store flat away from heat and direct sunlight.
		Supply	Available Ex-stock. Typical delivery within 48 hrs. Please contact our sales team for further information.



PROTEKTOR UK Limited

Protektor House, Frederick Road
Hoo Farm Industrial Estate
Kidderminster DY11 7RA

Tel: 01562 515200
Fax: 01562 515116
Email: info@protektor.co.uk
Web: www.protektor.co.uk