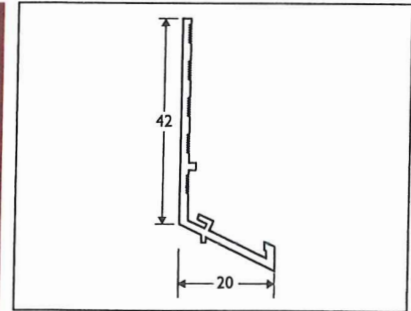
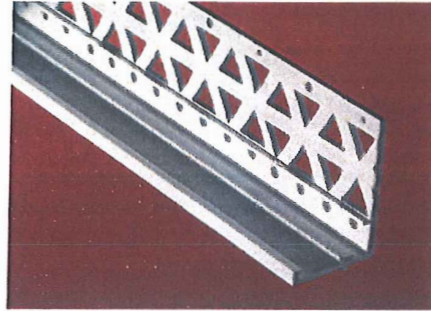




## PRODUCT DATA SHEET - D20



**Affiliations** FPDC

**Health & Safety** Delsys PVCu beads are safe to handle. COSHH certificate available upon request.

**Application** Used above doors, windows and at DPC level to prevent the retention of water and allow it to run clear of the underlying substrate.

**Chemical** General purpose, Calcium/Zinc stabilised medium impact rigid PVCu compound.

**Product** D20

**Description** 20mm Bellcast Bead

**Brand** Delsys

**Composition** Made from PVCu

**Dimensions** Approx 5mm arris with 42mm wing

**Quality Control** Manufactured in accordance to ISO 9001 & complies with BS EN 13914-1&2

**Depth** 13 - 22mm render depth

**Colours** White - Ivory (IV) - Rose (RS)  
Light Grey (LG) - Dark Grey (DG)  
Beige (BE) - Terracotta (TC)

**Weight/box** 8.69 kgs

**Length** 2.5m

**Packaging** 25 lengths per box

**Light** UV stable

**Installation** Choose your beads to suit their application (internal/external) and the plaster/render thickness to be used. Cut to length with tin snips or a fine tooth saw. Fixing is quick and simple. Apply dabs at 600mm centres then press the perforated wings into the plaster dabs.

**Storage** Store flat away from heat and direct sunlight.

**Supply** Available Ex-stock. Typical delivery within 48 hrs. Please contact our sales team for further information.



## PROTEKTOR UK Limited

Protektor House, Frederick Road  
Hoo Farm Industrial Estate  
Kidderminster DY11 7RA

Tel: 01562 515200  
Fax: 01562 515116  
Email: info@protektor.co.uk  
Web: www.protektor.co.uk