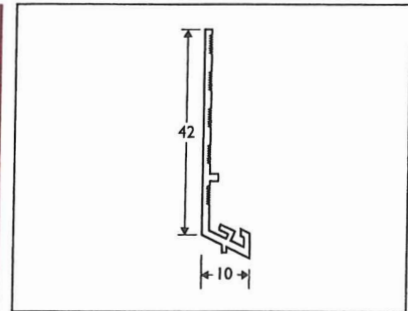
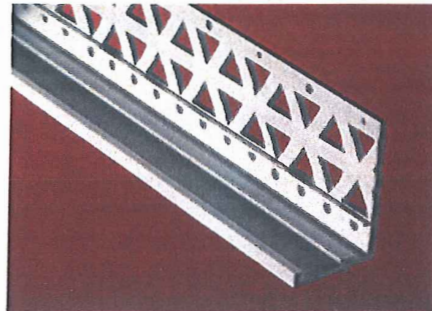




## PRODUCT DATA SHEET - D10



<b>Affiliations</b>	FPDC	<b>Application</b>	Used above doors, windows and at DPC level to prevent the retention of water and allow it to run clear of the underlying substrate.
<b>Health &amp; Safety</b>	Delsys PVCu beads are safe to handle. COSHH certificate available upon request.	<b>Chemical</b>	General purpose, Calcium/Zinc stabilised medium impact rigid PVCu compound.
<b>Product</b>	D10	<b>Depth</b>	6 - 12mm render depth
<b>Description</b>	10mm Bellcast Bead	<b>Colours</b>	White & Ivory (IV)
<b>Brand</b>	Delsys	<b>Weight/box</b>	4.82 kgs
<b>Composition</b>	Made from PVCu	<b>Length</b>	2.5m
<b>Dimensions</b>	Approx 5mm arris with 42mm wing	<b>Packaging</b>	25 lengths per tube
<b>Quality Control</b>	Manufactured in accordance to ISO 9001 & complies with BS EN 13914-1&2	<b>Light</b>	UV stable
<b>Installation</b>	Choose your beads to suit their application (internal/external) and the plaster/render thickness to be used. Cut to length with tin snips or a fine tooth saw. Fixing is quick and simple. Apply dabs at 600mm centres then press the perforated wings into the plaster dabs.	<b>Storage</b>	Store flat away from heat and direct sunlight.
		<b>Supply</b>	Available Ex-stock. Typical delivery within 48 hrs. Please contact our sales team for further information.



## PROTEKTOR UK Limited

Protektor House, Frederick Road  
Hoo Farm Industrial Estate  
Kidderminster DY11 7RA

Tel: 01562 515200  
Fax: 01562 515116  
Email: info@protektor.co.uk  
Web: www.protektor.co.uk